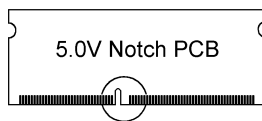
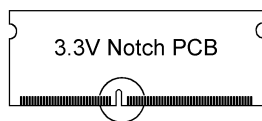
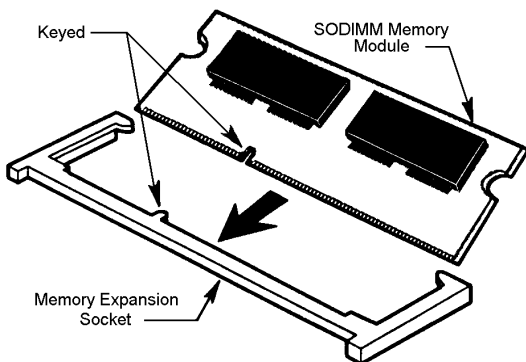


Transcend Information, Inc. manufactures 3.3v and 5.0v, 144-pin SO DIMM (Small Outline DIMM) memory modules with FPM (Fast Page Mode), EDO (Extended Data Output), and SDRAM (Synchronous DRAM) technology for various notebook computers. The instructions on this page provide a general installation and handling information, and are intended to be used in conjunction with your models specific owner's manual.

Installation Procedures

1. Place your computer's power switch in the off position and disconnect the AC power cord.
2. Follow the instructions in your owner's manual for your model notebook that describes how to locate your computer's memory expansion socket or sockets.
3. Before touching any electronic components or opening the package containing your new memory module, make sure you first touch an unpainted, grounded metal object to discharge any static electricity you may have stored on your body or clothing.
4. Handle your new memory module carefully; do not flex or bend it. Always grasp the module by its edges.



5. As shown in the illustration, your memory module and the expansion socket are keyed. A small plastic bridge in the socket must align with the notch in the module. The keyed bridge and notch insures that the module can be plugged into the socket one way only.
6. Insert your memory module into the socket at a 30-45 degree angle. Make sure the module is completely seated in the socket. If you're having problems inserting the module into the socket, stop and examine both the module and the socket. Make sure the notch and the module are properly aligned with the keyed plastic bridge in the socket. Do not force the module into the socket. If too much force is used, both the socket and memory module could be damaged.
7. Once the module is seated properly in the socket, rotate the module downwards until the clips at each end of the expansion socket click into place.
8. After installing your module or modules, close the computer, plug in the AC power cord, and reinstall any other cables that may have been disconnected during the installation process.

Removal Procedures

Using your thumbs, place one thumb on each latch handle located on both sides of the socket. Press apart to the left and right away from the module. The SO DIMM module should spring forward. Remove it at the same angle it was inserted.

Testing Procedures

Turn on your computer and follow the instructions in your computer owner's manual that describe the steps necessary to allow your computer to recognize the newly installed memory.